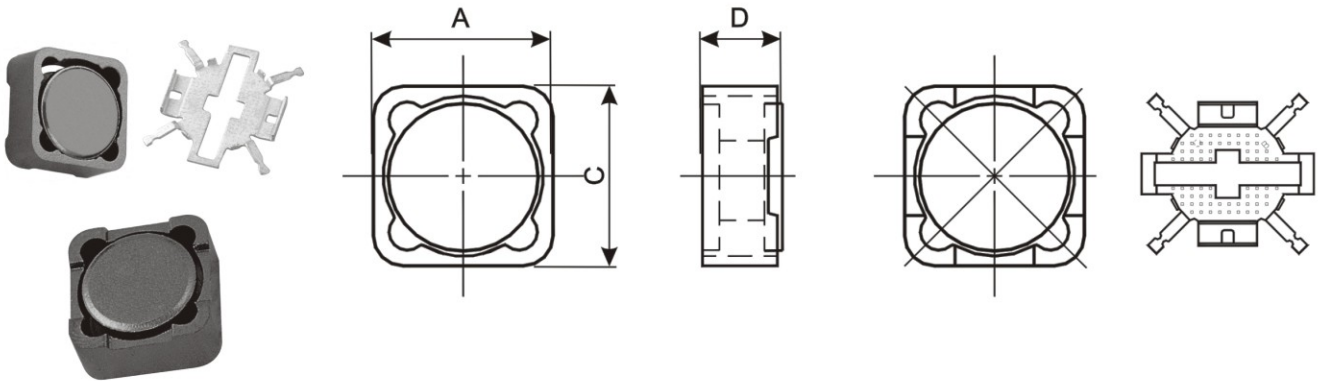


[SDRI TYPE] Base Type

面實裝 POWER CHOKE CORES 基座型



FEATURES 特長

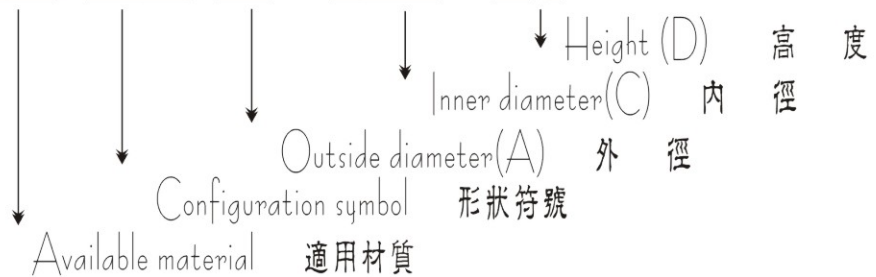
特殊金屬電極處理之閉磁路，耐大電流用之表面粘著，DC-DC 轉換器抗流磁芯。

Magnetically shielded structure surface mount power choke cores treated with special metallic electrode for DC/DC converters.

PRODUCT IDENTIFICATION

產品識別碼

DL5 SDRI 12 × 10.65 × 5.0



產品尺寸標注：

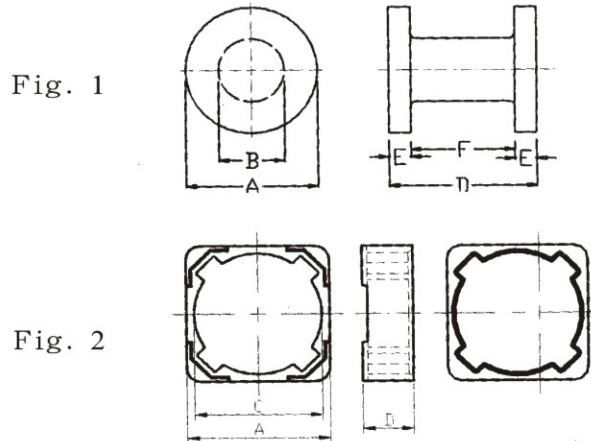
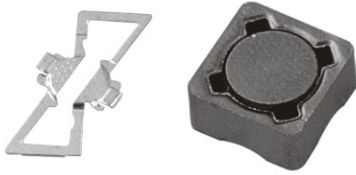
品名	DR:A	B	D	F	SRI:A	C	D
DR9.85*3 SRI12*10.65*3	9.85±0.15	5.0±0.15	3.0±0.15	1.5±0.15	12.0±0.3	10.65±0.3	3.00±0.15
DR9.85*3.8 SRI12*10.65*3.65	9.85±0.15	5.2±0.15	3.8±0.15	2.0±0.15	12.0±0.3	10.65±0.3	3.65±0.15
DR9.85*5.2 SRI12*10.65*5	9.85±0.15	5.2±0.15	5.2±0.15	3.0±0.15	12.0±0.3	10.65±0.3	5.00±0.2
DR9.85*6 SRI12*10.65*5.8	9.85±0.15	5.2±0.15	6.0±0.15	4.0±0.15	12.0±0.3	10.65±0.3	5.80±0.2
DR9.85*7 SRI12*10.65*6.7	9.85±0.15	6.2±0.15	7.00±0.2	4.9±0.15	12.0±0.3	10.65±0.3	6.80±0.2
DR9.85*9 SRI12*10.65*8.8	9.85±0.15	6.5±0.15	9.00±0.2	6.5±0.15	12.0±0.3	10.65±0.3	8.80±0.2
DR10*4 SRI12.2*10.8*3.8	10.0±0.15	5.2±0.15	4.00±0.15	2.0±0.15	12.2±0.3	10.8±0.3	3.80±0.15
DR10*5.2 SRI12.2*10.8*5	10.0±0.15	5.2±0.15	5.2±0.15	3.0±0.15	12.2±0.3	10.8±0.3	5.00±0.2
DR10*7 SRI12.2*10.8*6.7	10.0±0.15	6.2±0.15	7.00±0.2	4.9±0.15	12.2±0.3	10.8±0.3	6.80±0.2

USEAGE 用途

OA 機器等之電源用
VTR 照相機
液晶電視
Power supply of various kinds of OA equipment; Camcorder; LCD television set.

[SDRI TYPE] Base Type

面實裝 POWER CHOKE CORES 基座型



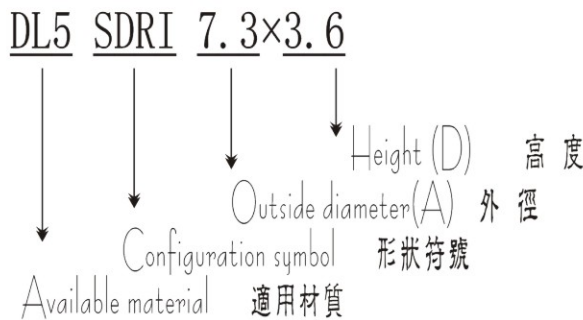
FEATURES 特長

特殊金屬電極處理之閉磁路，耐大電流用之表面粘著，DC-DC 轉換器抗流磁芯。

Magnetically shielded structure surface mount power choke cores treated with special metallic electrode for DC/DC converters.

PRODUCT IDENTIFICATION

產品識別碼



產品尺寸標注：

USEAGE 用途

OA 機器等之電源用
VTR 照相機
液晶電視
Power supply of various kinds of OA equipment;
Camcorder;
LCD television set.

品名	DR:A	B	D	F	SRI:A	C	D
DR5.3*2.8	5.3±0.15	2.6±0.15	2.8±0.15	1.5±0.15	7.3±0.2	5.6±0.2	2.7±0.15
SRI7.3*5.6*2.7	7.3±0.2	5.6±0.2	2.7±0.15				
DR5.3*3.65	5.3±0.15	2.8±0.15	3.65±0.15	2.3±0.15	7.3±0.2	5.6±0.2	3.5±0.15
SRI7.3*5.6*3.5	7.3±0.2	5.6±0.2	3.5±0.15				
DR5.3*5	5.3±0.15	3.2±0.15	5±0.15	3.5±0.15	7.3±0.2	5.6±0.2	4.8±0.15
SRI7.3*5.6*4.8	7.3±0.2	5.6±0.2	4.8±0.15				

注：DR CORE 分有導角和無導角兩種形狀。

[SDRI TYPE]

面實裝 POWER CHOKE CORES 基座型

STANDARD SPECIFICATIONS OF SDRI POWER CHOKE CORES

面實裝基座型, 電感值, 直流抵抗, 定格電流規格表

Tolerance of Inductance:
電感值公差

SDRI 7.3x2.8:

10~1000 μ H \pm 20%

SDRI 7.3x3.6:

10~1000 μ H \pm 20%

SDRI 12.0x5.2:

10~1000 μ H \pm 20%

SDRI 12.0x7.0:

1.2~7.6 μ H+40%,-20%

10~47 μ H \pm 20%

Inductance 電感 L(μ H)	DCR(Ω)Max. 直流抵抗				Rated D.C.Current(A) 定格電流			
	SDRI 7.3x2.8	SDRI 7.3x3.6	SDRI 12.0x5.2	SDRI 12.0x7.0	SDRI 7.3x2.8	SDRI 7.3x3.6	SDRI 12.0x5.2	SDRI 12.0x7.0
1.2				0.007				9.80
2.4				0.012				8.00
3.5				0.014				7.50
4.7				0.016				6.80
6.1				0.018				6.60
7.6				0.020				5.90
10	0.08	0.049	0.025	0.022	1.68	1.84	4.00	5.40
12	0.11	0.058	0.027	0.024	1.52	1.71	3.50	4.90
15	0.13	0.081	0.030	0.027	1.33	1.47	3.30	4.50
18	0.15	0.091	0.034	0.039	1.20	1.31	3.00	3.90
22	0.20	0.110	0.036	0.043	1.07	1.23	2.80	3.60
27	0.22	0.150	0.051	0.046	0.96	1.12	2.30	3.40
33	0.25	0.170	0.057	0.065	0.91	0.96	2.10	3.00
39	0.34	0.230	0.068	0.073	0.77	0.91	2.00	2.75
47	0.39	0.260	0.075	0.100	0.76	0.88	1.80	2.50
56	0.50	0.350	0.110	0.290	0.68	0.75	1.70	
68	0.55	0.380	0.120	0.310	0.61	0.69	1.50	
82	0.74	0.430	0.140	0.340	0.57	0.61	1.40	
100	0.84	0.610	0.160	0.370	0.50	0.60	1.30	
120	0.96	0.660	0.170	0.430	0.49	0.52	1.10	
150	1.42	0.880	0.230	0.450	0.43	0.46	1.00	
180	1.62	0.980	0.290	0.490	0.39	0.42	0.90	
220	1.84	1.170	0.400	0.560	0.35	0.36	0.80	
270	2.59	1.640	0.460	0.610	0.32	0.34	0.75	
330	2.93	1.860	0.510	0.660	0.20	0.32	0.68	
390	3.29	2.850	0.690	0.760	0.26	0.29	0.65	
470	4.67	3.010	0.770	0.800	0.24	0.26	0.58	
560	5.22	3.620	0.860		0.22	0.23	0.54	
680	6.47	4.630	1.200		0.19	0.22	0.48	
820	7.31	5.200	1.340		0.18	0.20	0.43	
1000	10.57	6.000	1.530		0.16	0.18	0.40	

- ▶ This indicates the value of current when the inductance is 10% lower than its initial value at D.C. Superposition or the value of D.C. Current when temperature rise $\Delta t=40^{\circ}\text{C}$ whichever is lower.
- ▶ For any SDRI core requirement not listed in the catalog, please feel free to contact with us for more information.

[SDRI TYPE] 面實裝 POWER CHOKE CORES 基座型

INDUCTANCE VS. CURRENT CURVE

Inductance Range: (10 μ H~820 μ H)

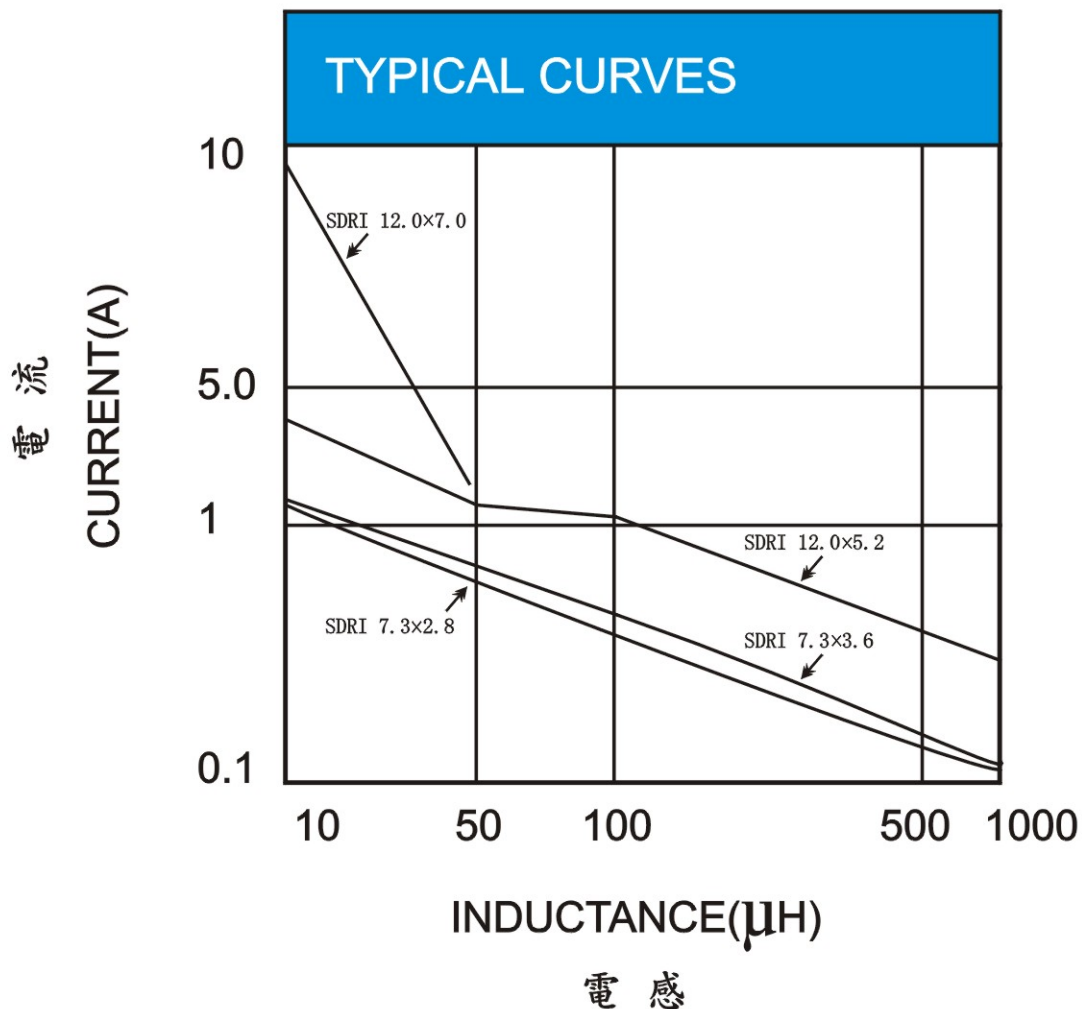
TYPICAL ELECTRICAL CHARACTERISTICS CURVE:

SDRI 7.3X2.8 ~ SDRI 12.0X7.0

TEST INSTRUMENT ZENTECH 101 & 301A

INDUCTANCE VS. CURRENT (REFERENCE)

電感值 - 電流(參考值)



[SDRI TYPE] Base Type

面實裝 POWER CHOKE CORES 基座型

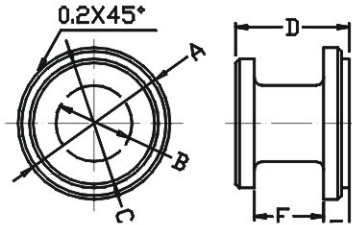


Fig. 1

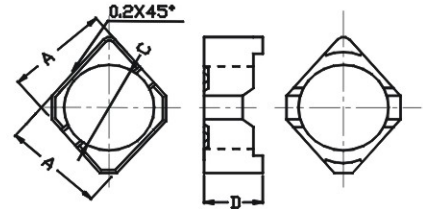
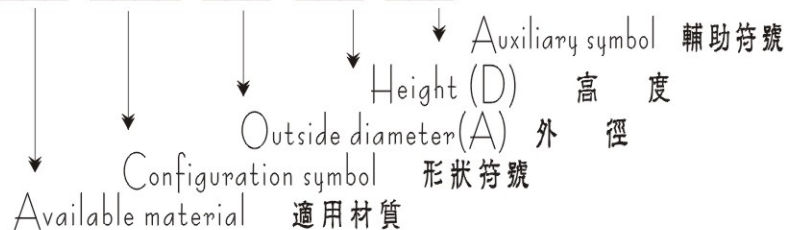


Fig. 2

PRODUCT IDENTIFICATION 產品識別碼

DL5 SDRI 6.7×2.8 D-3



FEATURES 特長

特殊金屬電極處理之閉磁路，耐大電流用之表面粘著，DC-DC 轉換器抗流磁芯。

Magnetically shielded structure surface mount power choke cores treated with special metallic electrode for DC/DC converters.

產品尺寸標注：

品名	DR:A	B	C	D	E	F	SRI:A	C	D
DR2.8*1.05D-3 SRI3.05*2.4*0.9	2.8±0.10	0.85±0.1	2.0±0.10	1.05±0.1	0.3REF	0.45±0.1	3.05±0.1	2.40±0.10	0.9±0.15
DR2.7*1.75D-3 SRI3.05*2.45*1.45	2.7±0.10	1.0±0.10	2.1±0.10	1.75±0.1	0.45REF	0.85±0.1	3.05±0.1	2.45±0.10	1.45±0.1
DR3.5*1.5D-3 SRI3.8*3.15*1.3	3.5±0.10	1.1±0.10	2.6±0.10	1.5±0.10	0.4REF	0.7±0.15	3.8±0.15	3.15±0.15	1.3±0.10
DR3.5*1.7D-3 SRI3.8*3.15*1.5	3.5±0.10	1.2±0.10	2.6±0.10	1.7±0.10	0.45REF	0.8±0.10	3.8±0.15	3.15±0.15	1.5±0.10
DR3.5*2.7D-3 SRI3.8*3.15*2.5	3.5±0.10	1.3±0.10	2.6±0.10	2.7±0.15	0.45REF	1.8±0.10	3.8±0.15	3.15±0.15	2.5±0.10
DR4.6*1.7D-3 SRI4.7*3.9*1.6	4.6±0.10	1.6±0.10	3.4±0.10	1.7±0.15	0.45REF	0.75±0.1	4.7±0.15	3.9±0.15	1.6±0.10
DR4.6*2.7D-3 SRI4.7*3.9*2.6	4.6±0.10	1.8±0.10	3.4±0.10	2.7±0.10	0.5REF	1.7±0.15	4.7±0.15	3.9±0.15	2.6±0.10
DR5.6*1.7D-3 SRI5.7*4.9*1.4	5.6±0.10	2.0±0.10	4.2±0.10	1.7±0.10	0.45REF	0.75±0.1	5.7±0.15	4.9±0.15	1.4±0.10
DR5.6*2.7D-3 SRI5.7*4.9*2.4	5.6±0.10	2.0±0.10	4.2±0.10	2.7±0.10	0.45REF	1.8±0.10	5.7±0.15	4.9±0.15	2.4±0.10
DR6.6*2.7D-3 SRI6.7*5.7*2.6	6.6±0.10	2.3±0.15	4.8±0.10	2.7±0.10	0.45REF	1.8±0.10	6.7±0.15	5.7±0.15	2.6±0.15
DR6.6*3.6D-3 SRI6.7*5.7*3.45	6.6±0.10	2.5±0.15	4.8±0.10	3.6±0.15	0.5REF	2.6±0.10	6.7±0.15	5.7±0.15	3.45±0.15
DR9.6*2.7D-3 SRI10*8.2*2.45	9.6±0.15	4.0±0.15	7.5±0.15	2.7±0.15	0.65±0.1	1.4±0.15	10±0.30	8.2±0.20	2.45±0.15
DR9.6*3.7D-3 SRI10*8.2*3.2	9.6±0.15	5.0±0.15	7.5±0.15	3.7±0.15	1.0±0.15	1.9±0.15	10±0.30	8.2±0.20	3.2±0.15
DR9.6*4.7D-3 SRI10*8.2*4.3	9.6±0.15	5.3±0.15	7.5±0.15	4.7±0.15	0.85±0.15	3.0±0.15	10±0.30	8.2±0.20	4.3±0.15
DR9.6*5.7D-3 SRI10*8.2*5.3	9.6±0.15	5.3±0.15	7.5±0.15	4.7±0.15	0.85±0.15	4.0±0.15	10±0.30	8.2±0.20	5.3±0.15

USEAGE 用途

OA 機器等之電源用

VTR照相機

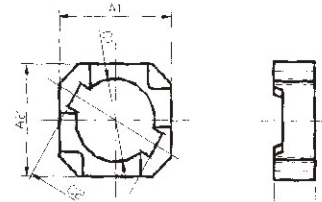
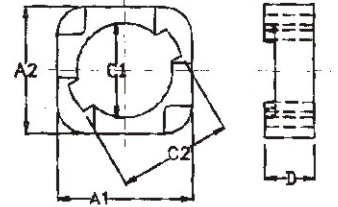
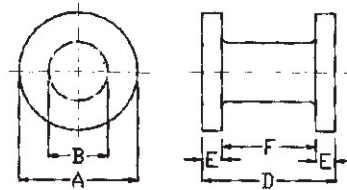
液晶電視

Power supply of various kinds of OA equipment; Camcorder; LCD television set.

[SDRI TYPE]

Base Type

面實裝 POWER CHOKE CORES 基座型



FEATURES 特長

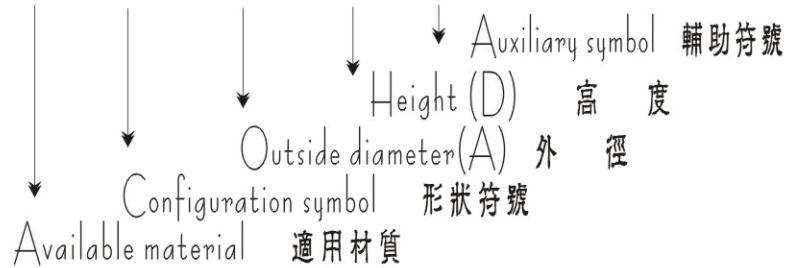
特殊金屬電極處理之閉磁路，耐大電流用之表面粘著，DC-DC 轉換器抗流磁芯。

Magnetically shielded structure surface mount power choke cores treated with special metallic electrode for DC/DC converters.

PRODUCT IDENTIFICATION

產品識別碼

DL5 SDRI 6.2×2.0 D



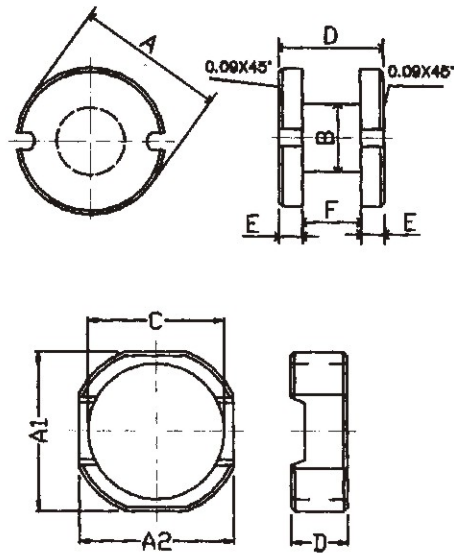
產品尺寸標注：

品名	DR:A	B	D	F	SRI:A1	A2	C1	C2	D	
USEAGE 用途 OA 機器等之電源用	DR4*1.8	4±0.1	1.6±0.1	1.8±0.15	1±0.15	6.2±0.15	5.9±0.2	4.4±0.2	5.4±0.2	1.9±0.15
VTR 照相機	SRI6.2*4.4*1.9D	4±0.1	1.6±0.1	2±0.15	1±0.15	6.2±0.15	5.9±0.2	4.4±0.2	5.4±0.2	1.9±0.15
液晶電視	DR4*2.4	4±0.1	2.0±0.1	2.4±0.15	1.3±0.15	6.2±0.15	5.9±0.2	4.4±0.2	5.4±0.2	2.3±0.15
Power supply of various kinds of OA equipment; Camcorder; LCD television set.	SRI6.2*4.4*2.3D	4±0.1	2.0±0.1	2.4±0.15	1.3±0.15	6.2±0.15	5.9±0.2	4.4±0.2	5.4±0.2	2.3±0.15
	DR4*2.4	4±0.1	2.0±0.1	2.4±0.15	1.3±0.15	6.2±0.15	5.9±0.2	4.4±0.2	5.4±0.2	2.3±0.15
	SRI6.2*4.4*2.3S	4±0.1	2.0±0.1	2.4±0.15	1.3±0.15	6.2±0.15	5.9±0.2	4.4±0.2	5.4±0.2	2.3±0.15
	DR4*4.4	4±0.1	2.4±0.1	4.4±0.15	3.2±0.15	6.2±0.15	5.9±0.2	4.4±0.2	5.4±0.2	4.3±0.15
	SRI6.2*4.4*4.3D	4±0.1	2.4±0.1	4.4±0.15	3.2±0.15	6.2±0.15	5.9±0.2	4.4±0.2	5.4±0.2	4.3±0.15
	DR4*4.2	4±0.1	2.1±0.15	4.2±0.15	3±0.15	6.2±0.15	5.9±0.2	4.4±0.2	5.4±0.2	4.1±0.15
	SRI6.2*4.4*4.1S	4±0.1	2.1±0.15	4.2±0.15	3±0.15	6.2±0.15	5.9±0.2	4.4±0.2	5.4±0.2	4.1±0.15

[SDRI TYPE]

Base Type

面實裝 POWER CHOKE CORES 基座型



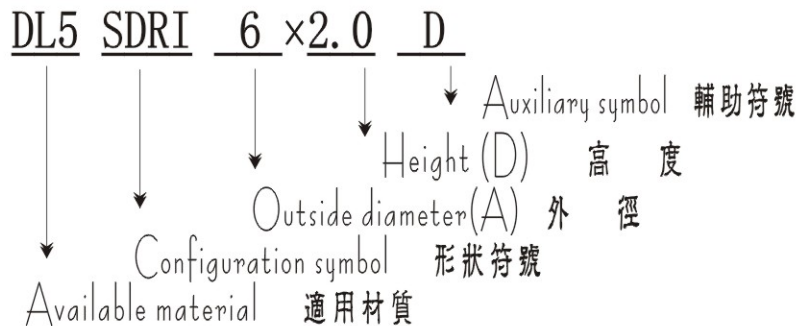
FEATURES 特長

特殊金屬電極處理之閉磁路，耐大電流用之表面粘著，DC-DC 轉換器抗流磁芯。

Magnetically shielded structure surface mount power choke cores treated with special metallic electrode for DC/DC converters.

PRODUCT IDENTIFICATION

產品識別碼



產品尺寸標注：

品名	DR:A	B	D	F	SRI:A1	A2	C	D
DR4.45*1.5R SRI6*4.78*1.5	4.45 ± 0.15	2 ± 0.15	1.5 ± 0.15	0.7 ± 0.15	6 ± 0.15	5.7 ± 0.15	4.78 ± 0.15	1.5 ± 0.15
DR4.45*1.8R SRI6*4.78*1.8	4.45 ± 0.15	1.8 ± 0.15	1.8 ± 0.15	0.8 ± 0.15	6 ± 0.15	5.7 ± 0.15	4.78 ± 0.15	1.8 ± 0.15
DR4.45*2R SRI6*4.78*2.0	4.45 ± 0.15	1.8 ± 0.15	2.0 ± 0.15	1.0 ± 0.15	6 ± 0.15	5.7 ± 0.15	4.78 ± 0.15	2.0 ± 0.15
DR4.45*2.2R SRI6*4.78*2.1	4.45 ± 0.15	2.0 ± 0.15	2.2 ± 0.15	1.1 ± 0.15	6 ± 0.15	5.7 ± 0.15	4.78 ± 0.15	2.1 ± 0.15
DR4.45*2.5R SRI6*4.78*2.4	4.45 ± 0.15	2.0 ± 0.15	2.5 ± 0.15	1.3 ± 0.15	6 ± 0.15	5.7 ± 0.15	4.78 ± 0.15	2.4 ± 0.15
DR4.45*2.7R SRI6*4.78*2.7	4.45 ± 0.15	2.0 ± 0.15	2.7 ± 0.15	1.5 ± 0.15	6 ± 0.15	5.7 ± 0.15	4.78 ± 0.15	2.7 ± 0.15
DR4.45*3R SRI6*4.78*3	4.45 ± 0.15	2.0 ± 0.15	3.0 ± 0.15	1.6 ± 0.15	6 ± 0.15	5.7 ± 0.15	4.78 ± 0.15	3.0 ± 0.15

USEAGE 用途

OA 機器等之電源用

VTR 照相機

液晶電視

Power supply of various kinds of OA equipment; Camcorder; LCD television set.